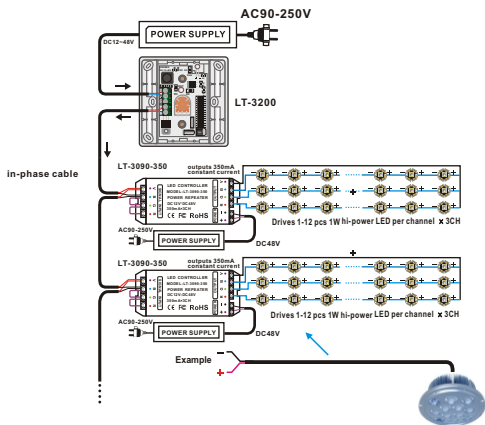


3. Repeaters connected to LED Wall Dimmer as follows:



6. Attention:

1. This product is non-waterproof, please avoid the sun and rain. Put it in a waterproof box if install outdoor.
2. The condition of radiation will affect the working life of controller, please install the product in a good radiation condition.
3. Please check if the output voltage of the LED power supply comply with the voltage range of the product.
4. This product is a high current device, please ensure a solid connection in order to avoid poor contact to damage parts and trigger fires.
5. Ensure all wire connection are correct before power debugging, which is to avoid lamps to be burnt because of wrong connection.
6. All the switching power supply must be well grounded, so as not to affect the working life of LED.
7. Please do not maintain it by yourself if any fault, please contact your supplier if any question.

7. After-sale service:

This product is 2 years free warranty, lifelong technical maintenance. The warranty excludes improper connection to power supply, overload working, etc. Human damages and force majeure factors.

Repair or replacement as provided under this warranty is the exclusive remedy of the customer. We shall not be liable for any incidental or consequential damages for breach of any stipulation in this warranty.

For the sake of the convenience to repair, please don't tear up or obliterate the label on product.

This manual is only apply to this model, any update is subject to change without prior notice.

## LT-3090-350 LED Constant Current Power Repeater



LED constant current power repeater is specially designed for our single color and RGB controllers to expand power output, it accepts PWM signal, double or three times more power can be reached by every one more power repeater, and in theory power repeater can be added unlimitedly.

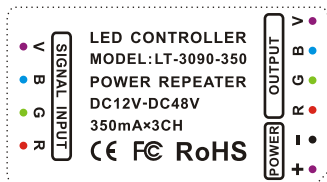
1. Product parameter

LT-3090-350 Constant current power repeater	
Power supply chosen	DC CV SMPS
Input voltage	DC12V~DC48V
Output current	CC 350mA ×3CH
Output Power Max	16.8W×3CH
Driving LEDs	1~12 pcs 1W LED/CH ×3CH
Working temperature	-30°C~55°C
Dimension	L121×W39×H39(mm)
Package Size	L123×W42×H42(mm)
Weight (G.W)	110g

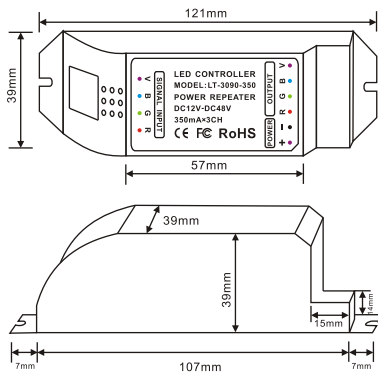
## 2. Features

1. Total 3 channels, 350mA per channel;
2. Wide voltage from DC12V-48V, can drive 1~12pcs 1W hi-power LED;
3. Accepts PWM signal;
4. Unlimited quantities of power repeaters can be connected together to run unlimited quantities of LED;
5. The in-phase possibility is not restricted by any numbers of repeaters;
6. Maximum length from controller to repeater can be 500meters;

## 3. Product Label



## 4. Product Dimension



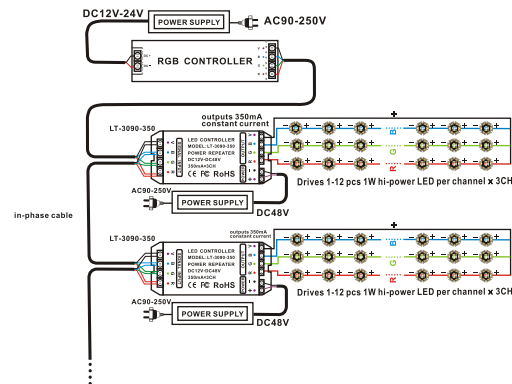
## 5. Conjunction Diagram



Note:

The LED quantity at each channel can be different; this CC controller can automatically check & output a proper voltage to each channel as per its different LED quantities.

1. Repeaters connected to RGB controller as follows:



2. Repeaters connected to DMX constant current decoder:

